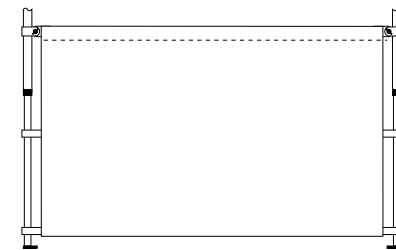




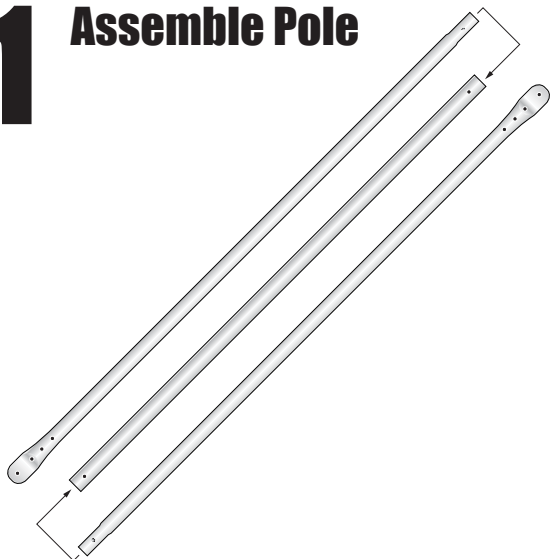
www.TentPrinting.com

Phone: 866-438-8368 / 419-586-3610

Fast Shade Rail Skirt Set-Up Instructions



1 Assemble Pole



2 Attach Clamp to Leg and Pole End



A) Square Leg Steel Frame



B) Hex Leg Aluminum Frame

3 Slide Pole Thru Fabric



4 Attach 2nd Pole End to Clamp and Leg



5 Secure Skirt Sides to Leg with Velcro

